

# EasyPac™ Floor Control, Residential and Commercial Riser Assemblies

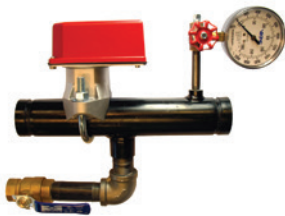
This guide is intended for general reference only. Prior to the design, layout, and/or installation of any sprinkler system, please refer to Viking's technical documentation and always consult with the AHJ. Viking makes no representation or warranty as to whether following this guide will satisfy any rule or requirement. Please visit [www.vikinggroupinc.com](http://www.vikinggroupinc.com) for the most current technical data and product specifications. All products must be installed in accordance with the manufacturer's current installation instructions. Viking reserves the right to change product specifications at any time without notice and without incurring obligation.



## Floor Control Riser Assemblies

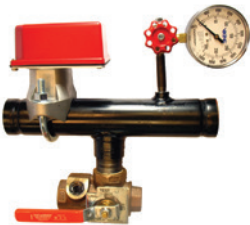
Refer to technical datasheet, 32a-f for complete specifications.

### Basic (with Ball Valve)



Size	Base Part Number							
	1-1/4"	1-1/2"	2"	2-1/2"	3"	4"	6"	8"
Groove x Groove (Schedule 10)	15270	15279	15288	15297	15300	15303	15294	15261
Thread x Groove (Schedule 40)	15273	15282	15291					
Thread x Thread (Schedule 40)	15267	15276	15285					

### TESTanDRAIN®



Size	Base Part Number							
	1-1/4"	1-1/2"	2"	2-1/2"	3"	4"	6"	8"
Groove x Groove (Schedule 10)	15271	15280	15289	15298	15301	15304	15295	15262
Thread x Groove (Schedule 40)	15274	15283	15292					
Thread x Thread (Schedule 40)	15268	15277	15286					

To order, add desired orifice suffix to part number. Orifice suffix:

3/8" (2.8 K) = A      ELO (11.2 K) = E  
 7/16" (4.2 K) = B      ESFR (14 K) = F  
 1/2" (5.6 K) = C      ESFR (25 K) = G  
 17/32" (8.0 K) = D

Example: 1-1/4", Groove X Groove, orifice size 3/8" (2.8 K) = 15271A

### TESTanDRAIN® and Pressure Relief Valve (PRV)



Size	Base Part Number							
	1-1/4"	1-1/2"	2"	2-1/2"	3"	4"	6"	8"
Groove x Groove (Schedule 10)	15272	15281	15290	15299	15302	15305	15296	15263
Thread x Groove (Schedule 40)	15275	15284	15293					
Thread x Thread (Schedule 40)	15269	15278	15287					

To order, add desired orifice suffix to part number. Orifice suffix:

3/8" (2.8 K) = A      ELO (11.2 K) = E  
 7/16" (4.2 K) = B      ESFR (14 K) = F  
 1/2" (5.6 K) = C      ESFR (25 K) = G  
 17/32" (8.0 K) = D

PRV suffix: 175, 185, 195, 205, 225, 250

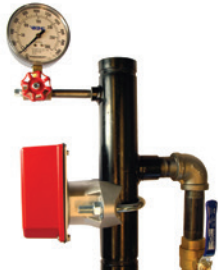
Example: 1-1/4", Groove X Groove, orifice size 3/8" (2.8 K), pressure setting 175 = 15272A175

TESTanDRAIN® is a registered trademark of AGF Manufacturing Inc.

## Commercial Riser Assemblies

Refer to technical datasheet, page 30a-f, for complete specifications.

### Basic (with Ball Valve)



Size	Base Part Number							
	1-1/4"	1-1/2"	2"	2-1/2"	3"	4"	6"	8"
Groove x Groove (Schedule 10)	15249	15254	14848	14852	14855	14858	14861	15264
Thread x Groove (Schedule 40)	15250	15255	15258					
Thread x Thread (Schedule 40)	15248	15253	14899					

### TESTanDRAIN®



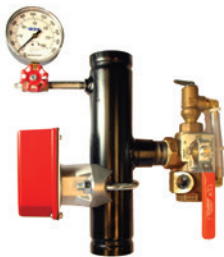
Size	Base Part Number							
	1-1/4"	1-1/2"	2"	2-1/2"	3"	4"	6"	8"
Groove x Groove (Schedule 10)	14872	14876	14850	14853	14856	14859	14862	15265
Thread x Groove (Schedule 40)	15251	15256	15259					
Thread x Thread (Schedule 40)	14871	14875	14935					

To order, add desired orifice suffix to part number. Orifice suffix:

- 3/8" (2.8 K) = A      ELO (11.2 K) = E
- 7/16" (4.2 K) = B      ESFR (14 K) = F
- 1/2" (5.6 K) = C      ESFR (25 K) = G
- 17/32" (8.0 K) = D

Example: 1-1/4", Groove X Groove, orifice size 3/8" (2.8 K) = 14872A

### TESTanDRAIN® and Pressure Relief Valve (PRV)



Size	Base Part Number							
	1-1/4"	1-1/2"	2"	2-1/2"	3"	4"	6"	8"
Groove x Groove (Schedule 10)	14874	14878	14850	14854	14857	14860	14863	15266
Thread x Groove (Schedule 40)	15252	15257	15260					
Thread x Thread (Schedule 40)	14873	14877	14847					

To order, add desired orifice suffix to part number. Orifice suffix:

- 3/8" (2.8 K) = A      ELO (11.2 K) = E
- 7/16" (4.2 K) = B      ESFR (14 K) = F
- 1/2" (5.6 K) = C      ESFR (25 K) = G
- 17/32" (8.0 K) = D

PRV suffix: 175, 185, 195, 205, 225, 250

Example: 1-1/4", Groove X Groove, orifice size 3/8" (2.8 K), pressure setting 175 = 14874A175

## Standpipe Riser Assemblies

Refer to technical datasheet, page Wet 33a, for complete specifications.



Size	Base Part Number		
	3"	4"	6"
International (GxG Schedule 10)	15576	15577	15578
Domestic* (GxG Schedule 10)	15573	15574	15575

\* Assembled in the U.S. from 100% U.S.-sourced components. Meets and exceeds requirements of the Buy American Act and the American Reinvestment and Recovery Act.

## Residential Riser Assemblies

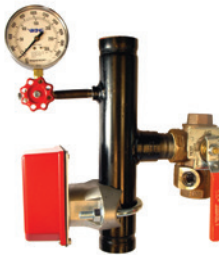
Refer to technical datasheet, page 31a-f, for complete specifications.

### Basic (with Ball Valve)



Size	Base Part Number			
	1"	1-1/4"	1-1/2"	2"
Groove x Groove (Schedule 10)	15243	14841	14843	14845
Thread x Groove (Schedule 40)		14905	14849	14846
Thread x Thread (Schedule 40)	15226	14840	14842	14844

### TESTanDRAIN®



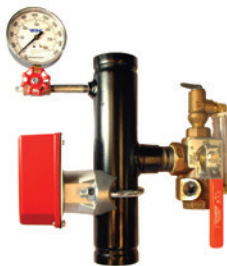
Size	Base Part Number			
	1"	1-1/4"	1-1/2"	2"
Groove x Groove (Schedule 10)	15244	15231	15237	15242
Thread x Groove (Schedule 40)		15233	15239	15246
Thread x Thread (Schedule 40)	15227	15229	15235	15241

To order, add desired orifice suffix to part number. Orifice suffix:

3/8" (2.8 K) = A	ELO (11.2 K) = E
7/16" (4.2 K) = B	ESFR (14 K) = F
1/2" (5.6 K) = C	ESFR (25 K) = G
17/32" (8.0 K) = D	

Example: 1-1/4", Groove X Groove, orifice size 3/8" (2.8 K) = 15244A

### TESTanDRAIN® and Pressure Relief Valve (PRV)



Size	Base Part Number			
	1"	1-1/4"	1-1/2"	2"
Groove x Groove (Schedule 10)	15245	15232	15238	14900
Thread x Groove (Schedule 40)		15234	15240	15247
Thread x Thread (Schedule 40)	15228	15230	15236	14901

To order, add desired orifice suffix to part number. Orifice suffix:

3/8" (2.8 K) = A	ELO (11.2 K) = E
7/16" (4.2 K) = B	ESFR (14 K) = F
1/2" (5.6 K) = C	ESFR (25 K) = G
17/32" (8.0 K) = D	

PRV suffix: 175, 185, 195, 205, 225, 250

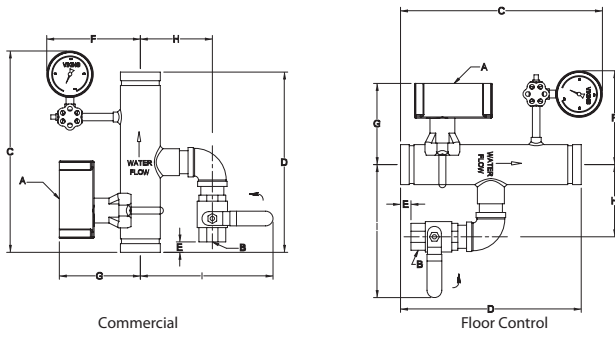
Example: 1-1/4", Groove X Groove, orifice size 3/8" (2.8 K), pressure setting 175 = 15245A175

## Features and Benefits of all EasyPac™ Riser Assemblies

- Assembled in the United States.
- Made with UL listed and FM approved components.
- Field replaceable parts for ease of service.
- Pre-packaged with high quality components including a pressure gauge, Potter® flow switch, 3-way gauge control valve, and an appropriate drain valve that are each easily replaceable in the field.
- Compact, lightweight design for easy installation.
- Eliminates the need to drain the system before installing the relief valve.
- Built-in test port allows hydrostatic testing without draining the system.
- Pressure rating: 250 PSI (17.2 bar) maximum water working pressure.
- Fabricated steel riser body with black Ecoat finish.
- Available with grooved inlet and outlet connections using Schedule 10 steel pipe.
- Available with pressure relief valve (PRV) to meet NFPA 13 requirements for gridded systems and any system requiring a PRV.
- 1-1/4", 1-1/2", and 2" assemblies are also available with male NPT threaded inlet and outlet, or threaded inlet x grooved outlet using Schedule 40 steel pipe.
- Potter® Flow Switch: Two single-pole double-throw switches with Form C contacts rated at 15 Amps 125/250 V. AC, 2.5 Amp 0-30 V. DC. Each switch can be wired for open or closed circuit operation.

## Commercial / Floor Control Riser Assembly Dimensions

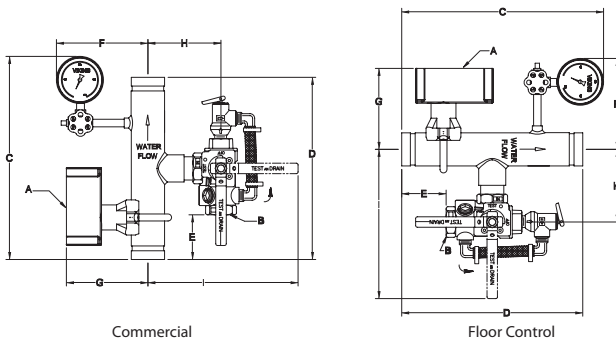
### Basic (with Ball Valve)



Size	B	C	D	E*	F	G	H	I
1-1/4"	1" NPT	16-1/2"	15"	1-1/2"	6-3/32"	6-11/32"	4-3/16"	8-9/16"
1-1/2"	1" NPT	16-1/2"	15"	1-1/2"	7-19/32"	6-15/16"	5-11/16"	10-1/16"
2"	1" NPT	14-1/2"	13"	-15/32"	6-7/16"	5-51/64"	4-9/16"	8-59/64"
2-1/2"	1-1/4" NPT	14-1/2"	13"	5/8"	6-11/16"	6-3/64"	5-1/4"	9-39/64"
3"	1-1/4" NPT	14-1/2"	13"	5/8"	7"	6-23/64"	5-9/16"	9-59/64"
4"	2" NPT	14-1/2"	13"	-1-3/4"	7-1/2"	6-25/32"	7-3/4"	13-5/16"
6"	2" NPT	14-1/2"	13"	-1-3/4"	8-35/64"	7-53/64"	8-51/64"	14-23/64"
8"	2" NPT	14-3/4"	13"	-1-3/4"	9-1/2"	8-3/4"	9-3/4"	15-1/2"

\* Dimension E is negative because the ball valve extends below the end of the manifold body.

### TESTanDRAIN® / TESTanDRAIN® and Pressure Relief Valve (PRV)



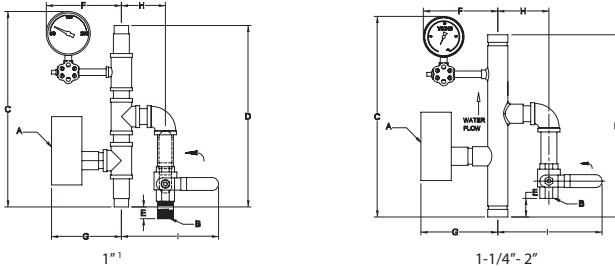
Size	B	C	D	E	F	G	H	I
1-1/4"	1" NPT	16-1/2"	15"	5-1/8"	6-3/32"	6-11/32"	4-1/2"	9-3/32"
1-1/2"	1" NPT	16-1/2"	15"	5-1/8"	7-19/32"	6-15/16"	4-3/4"	9-7/32"
2"	1" NPT	14-1/2"	13"	3-1/16" <sup>1</sup>	6-7/16"	5-51/64" <sup>2</sup>	4-49/64" <sup>1</sup>	9-35/64" <sup>1,2</sup>
2-1/2"	1-1/4" NPT	14-1/2"	13"	3-1/4"	6-11/16"	6-3/64"	6-1/4"	10-61/64"
3"	1-1/4" NPT	14-1/2"	13"	3-1/4"	7"	6-23/64"	5-5/8"	11-17/64"
4"	2" NPT	14-1/2"	13"	2-5/8"	7-1/2"	6-25/32"	8-3/16"	16-3/8"
6"	2" NPT	14-1/2"	13"	2-5/8"	8-35/64"	7-53/64"	9-15/64"	17-27/64"
8"	2" NPT	14-3/4"	13"	2-3/4"	9-1/2"	8-3/4"	10-1/4"	18-1/2"

<sup>1</sup> For 2" Commercial model with PRV, dimensions vary as follows: E = 3-3/16", H = 5-13/64", I = 10-45/64"

<sup>2</sup> For 2" Floor Control model with PRV, dimensions vary as follows: G = 4-51/64", I = 10-17/64"

## Residential Riser Assembly Dimensions

### Basic (with Ball Valve)

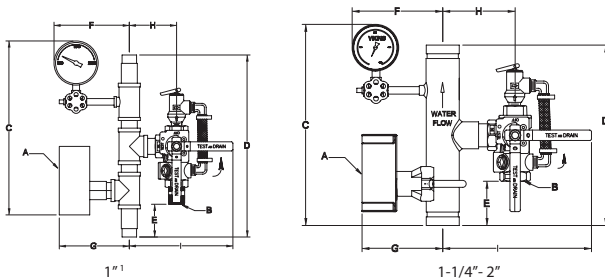


Size	B	C	D	E*	F	G	H	I
1" <sup>1</sup>	1" Hose	16-3/32"	14-15/16"	1"	6-3/16"	5-3/4"	3-1/2"	8"
1-1/4"	1" NPT	16-1/2"	15"	1-1/2"	6-3/32"	6-11/32"	4-3/16"	8-9/16"
1-1/2"	1" NPT	16-1/2"	15"	1-1/2"	6-7/32"	6-15/16"	4-5/16"	9-11/16"
2"	1-1/4" NPT	14-1/2"	13"	-1/2" <sup>2</sup>	6-7/16"	5-51/64"	5"	9-23/64"

<sup>1</sup> The body of the 1" manifold is comprised of four 1" nipples and three tee's.

<sup>2</sup> Dimension E is negative because the ball valve extends below the end of the manifold body.

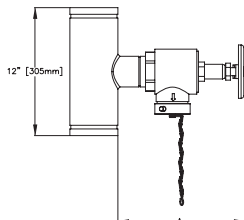
### TESTanDRAIN® / TESTanDRAIN® and Pressure Relief Valve (PRV)



Size	B	C	D	E	F	G	H	I
1" <sup>1</sup>	1" Hose	16-1/16"	14-15/16"	2-11/16"	6-3/16"	5-3/4"	3-7/8"	8-1/2"
1-1/4"	1" NPT	16-1/2"	15"	5-1/8"	6-3/32"	6-11/32"	4-15/32"	9-3/32"
1-1/2"	1" NPT	16-1/2"	15"	5-1/8"	7-19/32"	6-15/16"	4-19/32"	9-7/32"
2"	1-1/4" NPT	14-1/2"	13"	3-1/4"	6-7/16"	5-51/64"	5-13/64"	10-45/64"

<sup>1</sup> The body of the 1" manifold is comprised of four 1" nipples and three tee's.

## Standpipe Riser Assembly Dimensions



Size	Pipe OD	Pipe ID	Dimension A
3"	1.315"	1.097"	11-15/16"
4"	1.660"	1.45"	11-15/16"
6"	1.900"	1.69"	11-7/8"